



Power Planter

Specification Guide

Power Planter

A Collaborative Power Hub With Integrated Greenery.

Bring nature indoors seamlessly with the Power Planter. Featuring integrated electrical outlets, perfect for modern offices. Elevate productivity and well-being while always staying charged. Embrace biophilia effortlessly with a touch of greenery and functionality in the workspace.



Power Planter

Tables Finishes

1. Standard Finishes

Power Planter frame is made from powdercoated steel and painted MDF in Blanc and Noir.



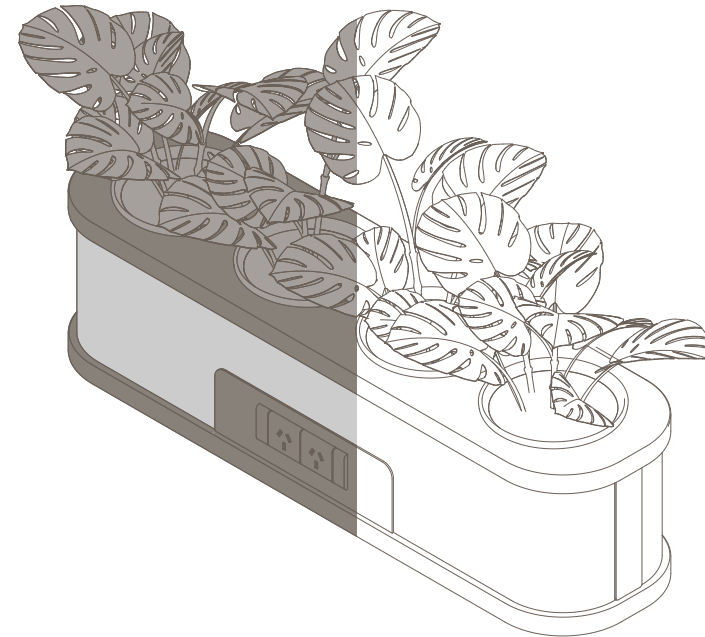
2. Premium Finishes

We offer premium Power Planter frame in current seasonal colours.

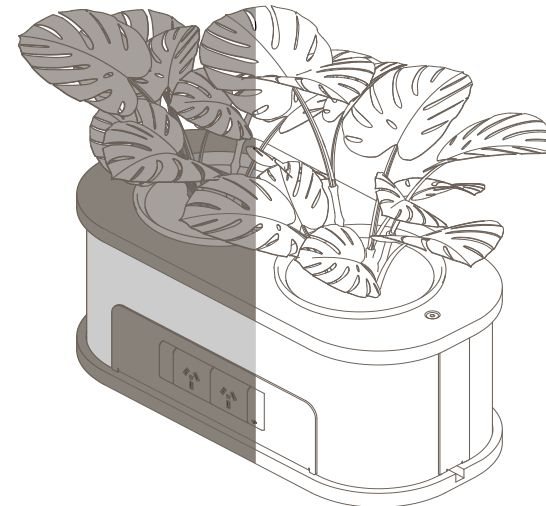


3. PET Body Finishes

Power Planter is body made from Dark Grey and Light Grey or customer specified 24mm acoustic panel



1
2
3



1
2
3

Colours are representative only, please check with your Thinking Works consultant to view samples of any specific colour and confirm availability in your country/region. Please note that pricing will vary based on your selected finish.

Accessorie Power Planter

Materials Information

Power Planter Frame

Powder coat Steel

- a. Noir
- b. Blanc
- c. Other Colour

Power Planter Top and Base

Painted MDF

- a. Noir
- b. Blanc
- c. Other Colour

Curved PET

Fabric

- a. Light Grey
- b. Dark Grey
- c. Customer Specified

Available Power & Data Options:

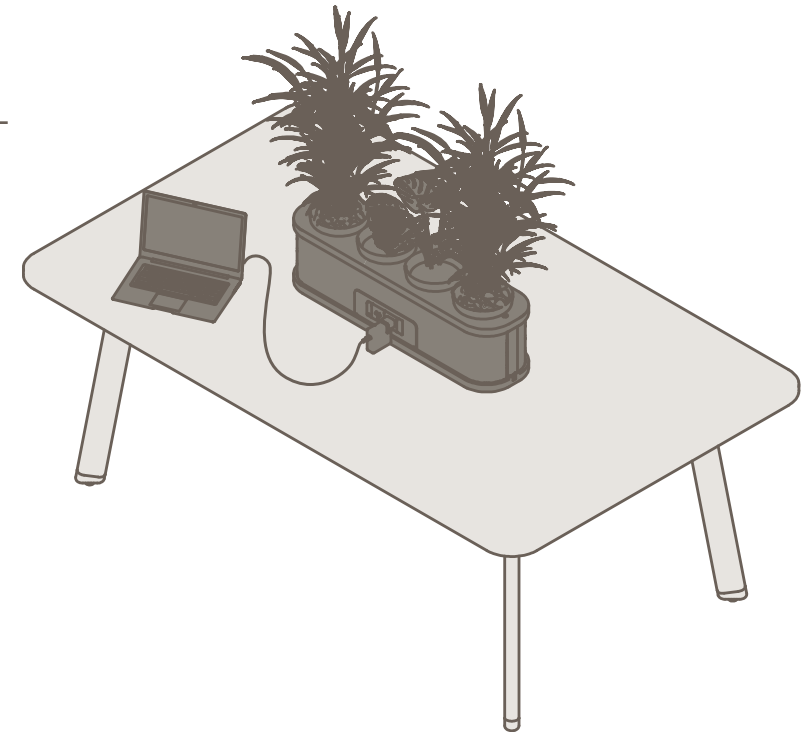
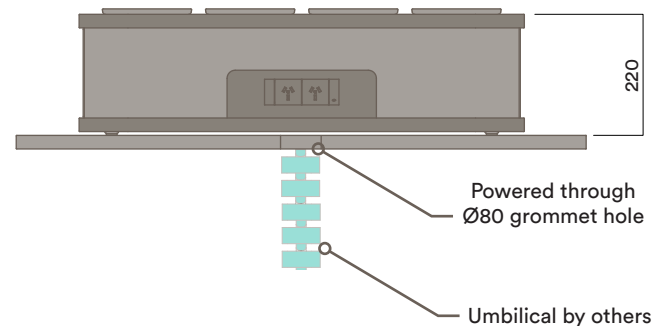
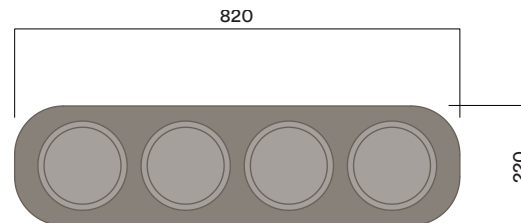
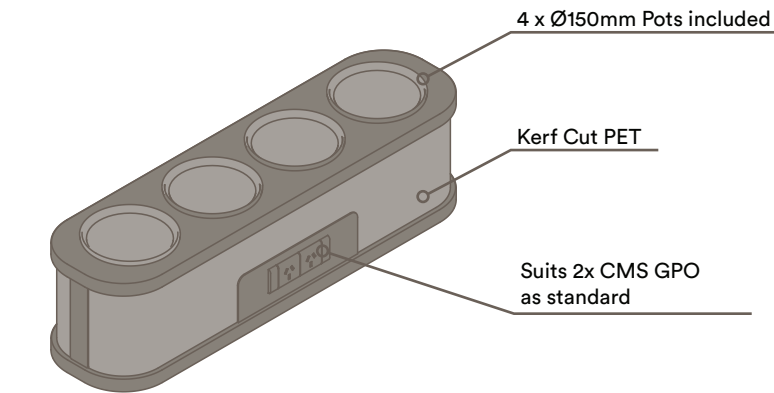
- a. 2 x 2 Power (AUS) * as standard
- b. Custom power options **

**GPOs not supplied. Contact CMS for purchase of GPO units.*

***Custom power options are possible depending on arrangement and quantity. Please contact your Thinking Works consutant to enquire about custom options.*

RO-8010

Power Planter - 4x Planter Pots



Accessorie Power Planter

Materials Information

RO-8011

Power Planter - 2x Planter Pots

Power Planter Frame

Powder coat Steel

- a. Noir
- b. Blanc
- c. Other Colour

Power Planter Top and Base

Painted MDF

- a. Noir
- b. Blanc
- c. Other Colour

Curved PET

Fabric

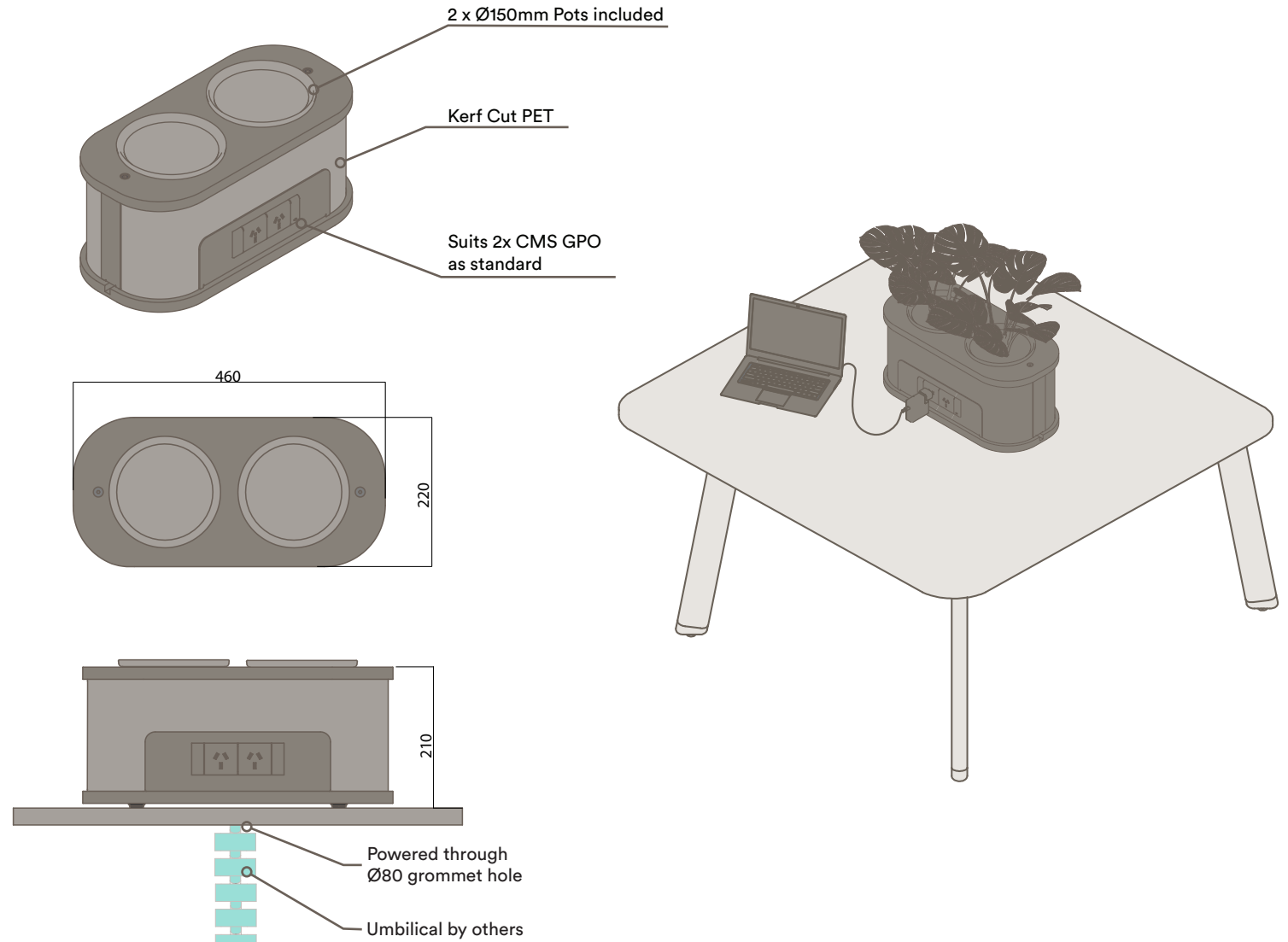
- a. Light Grey
- b. Dark Grey
- c. Customer Specified

Available Power & Data Options:

- a. 2 x 2 Power (AUS) * as standard
- b. Custom power options **

**GPOs not supplied. Contact CMS for purchase of GPO units.*

***Custom power options are possible depending on arrangement and quantity. Please contact your Thinking Works consultant to enquire about custom options.*





Specification

Due to our policy of continuous product development, specifications and finishes may change without prior notice.

Sustainability Policy

We realise the importance of responsible business practices and have in place numerous product and company sustainability certifications. We would encourage you to download our annual Sustainability Report from the Thinking Works website to get a full overview of our sustainability program.

Thinking Works
© Copyright 2023
All right reserved